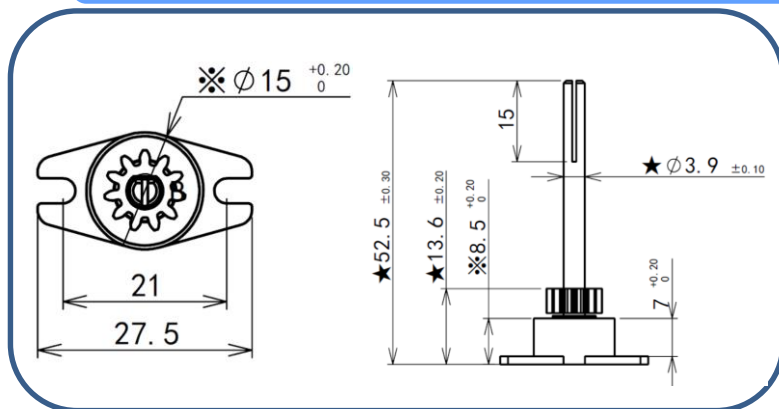


## Damper Dimension



## Damper Specification

### Component Parts

01	Gear	POM
02	O-ring	NBR
03	Rotor	POM
04	Cap	POM
05	Housing	PC
06	Spring	SUS
07	Oil	Silicone

### Gear Specification

Part No.	D01006 (L)
Pressure Angle	20°
Module	0.8
No. of Teeth	11
Outside circle $\varnothing$ [mm]	10.4
Pitch Diameter $\varnothing$ [mm]	8.8
Material	POM

Revolution follow-up characteristics  
(23°C ambient temperature)

Torque of the oil damper changes depending on the revolution speed. Generally, the torque increases as the revolution speed increases .

### Torque Type

**One-Way**

**0.35 ± 0.08N.cm**

Temperature characteristics (revolution speed: 20r/min)

Torque of the oil damper changes depending on the ambient temperature. Generally, the torque increases at lower temperature and decreases at higher temperature.

### Durability

Room Temperature:30000Cycles

