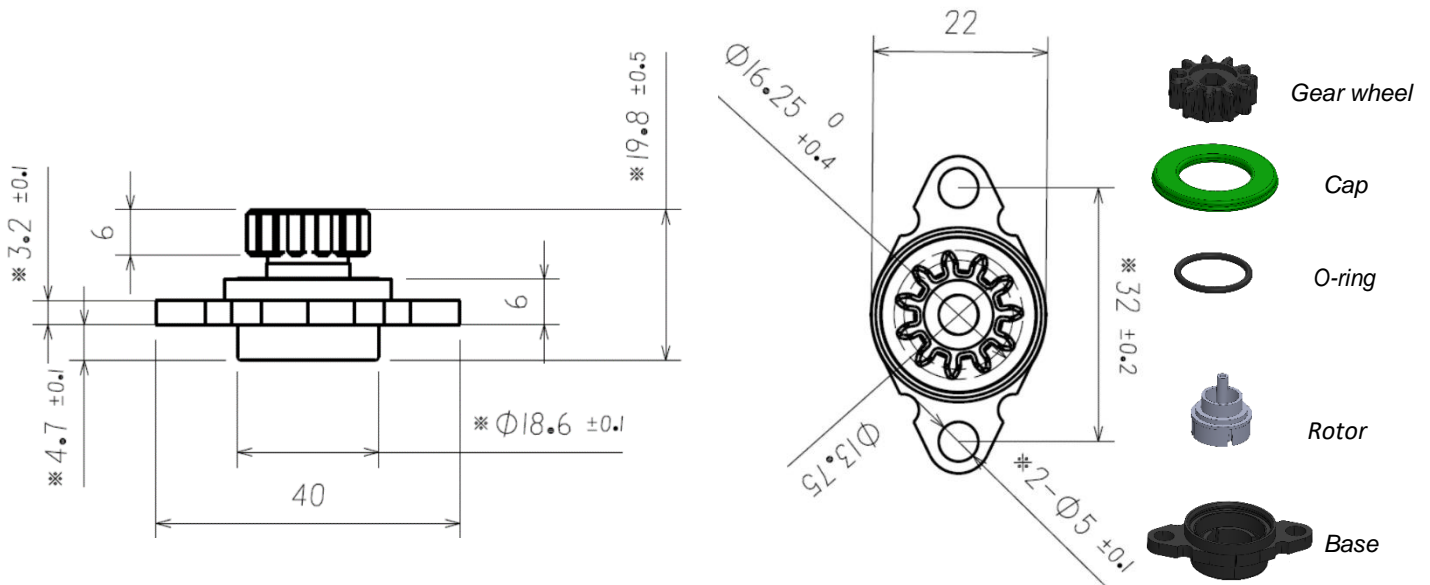
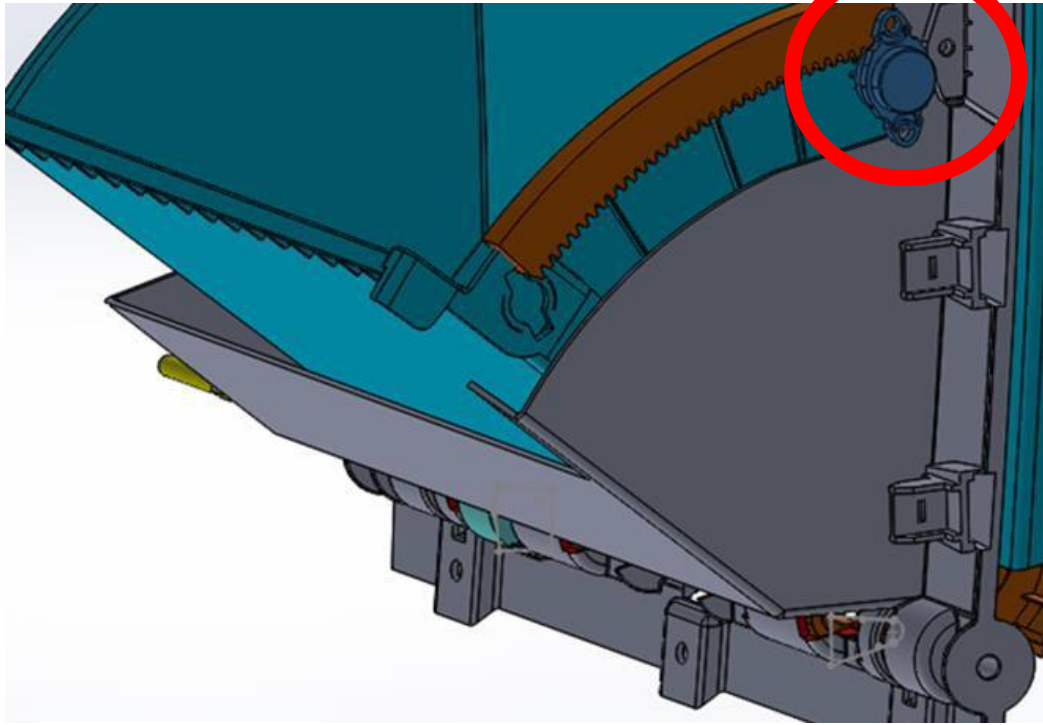


This damper is used in many application - armrests, medium and heavy lids, glove boxes, storage bins and any other medium to heavy sliding or rotary applications.



Gear wheel	01
Module	1,25
N. Teeth	11
Outside circle Ø [mm]	16,25
Height [mm]	6

Sample Application



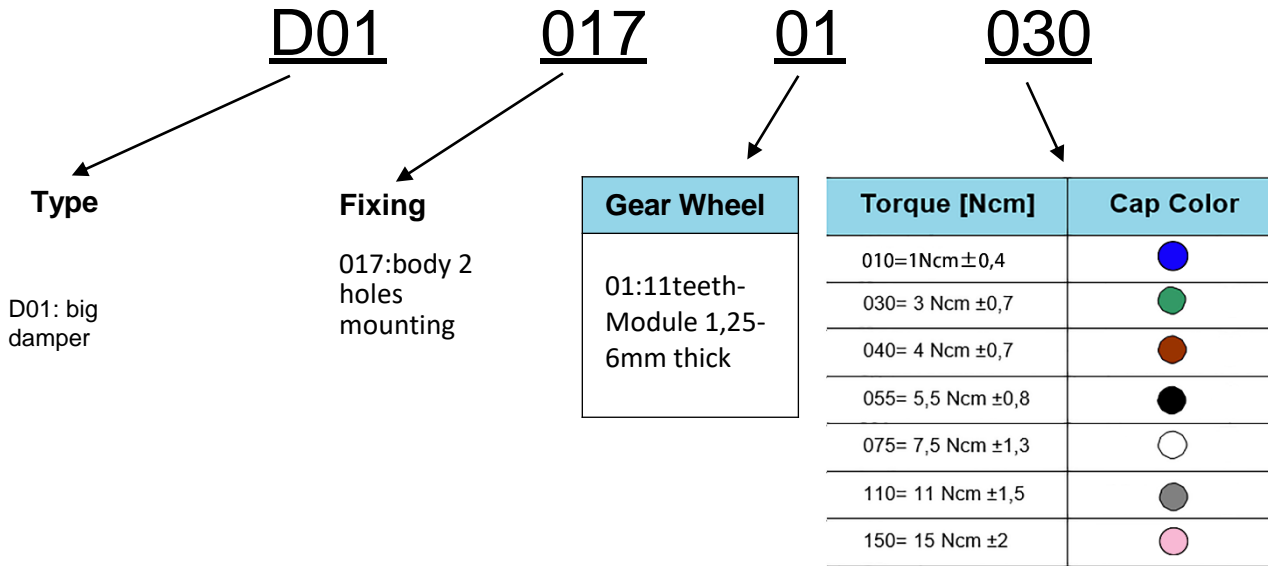
Working Conditions

Temperature	-40°C up to +90°C (O-Ring in VMQ) -30°C up to +90°C (O-Ring in NBR)
Lifetime	15.000 cycles 1 cycle: 1 way clockwise, 1 way anticlockwise

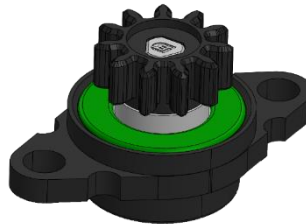
Bill of materials

Gear wheel	POM
Rotor	ZnAl4Gu1
Base	PA6GF15
Cap	PA66GF15
O-Ring	NBR/ VMQ
Fluid	Silicone oil

Product Key



Torque 100% checked in production at 20 rpm and RT



The official 2D drawing is the only valid technical documentation.

All the characteristics and dimensions written into this datasheet may in fact change and so will not be valid anymore.

All products are 100% tested on the torque value.

Bases, gear, wheels, torques and colors can be combined, having a design flexibility.

Custom designs are also available