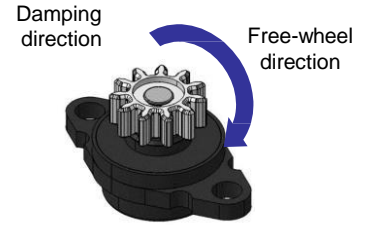
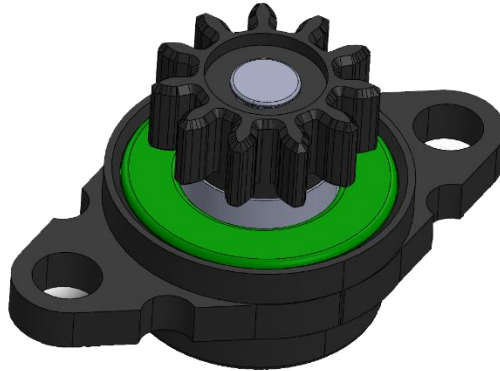
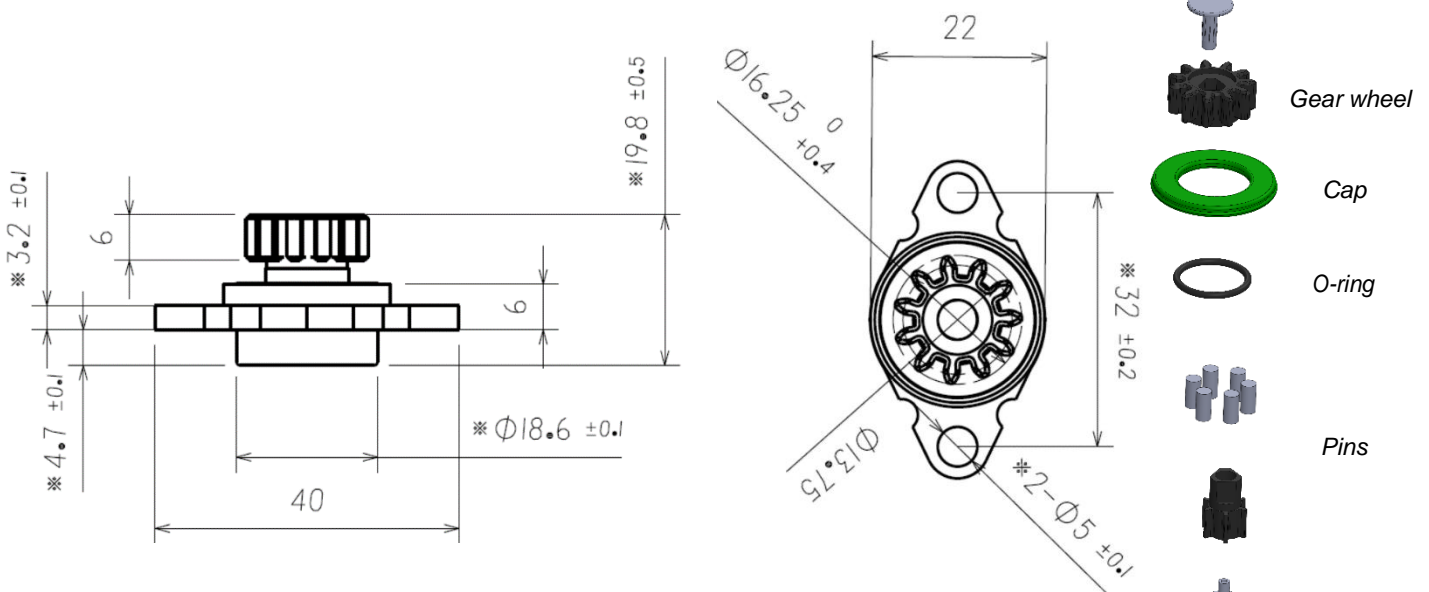


**Patented Product**



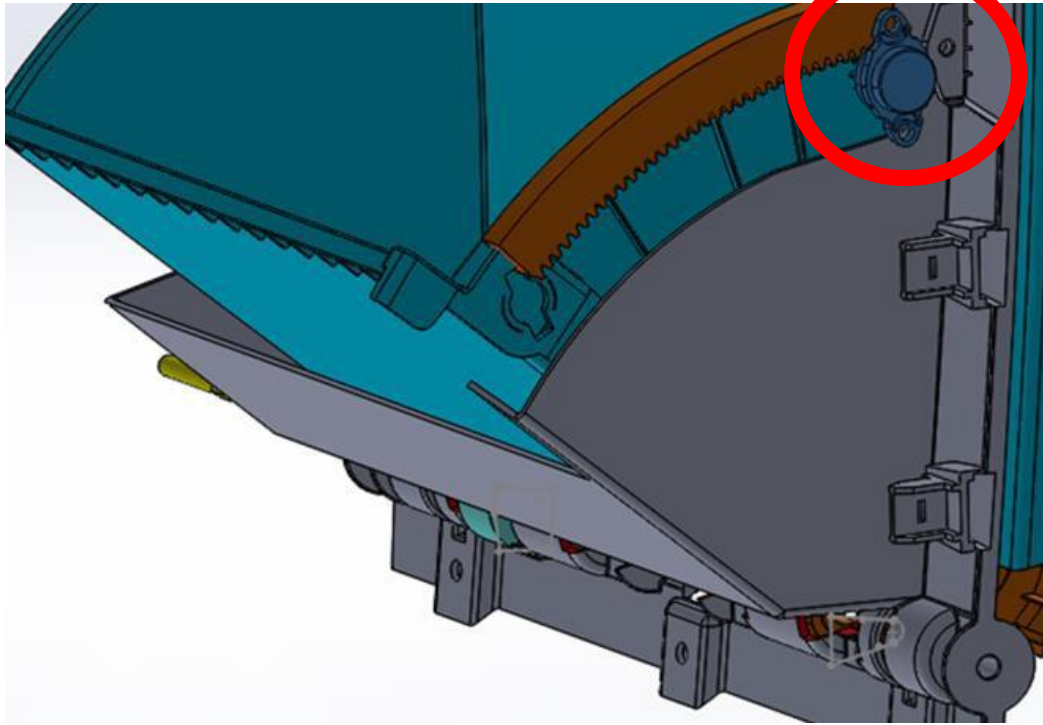
D0101701XXX - L

This damper is used in many application - armrests, medium and heavy lids, glove boxes, storage bins and any other medium to heavy sliding or rotary applications.



<b>Gear wheel</b>	01
<b>Module</b>	1,25
<b>N. Teeth</b>	11
<b>Outside circle <math>\Phi</math> [mm]</b>	16,25
<b>Height [mm]</b>	6

## Sample Application

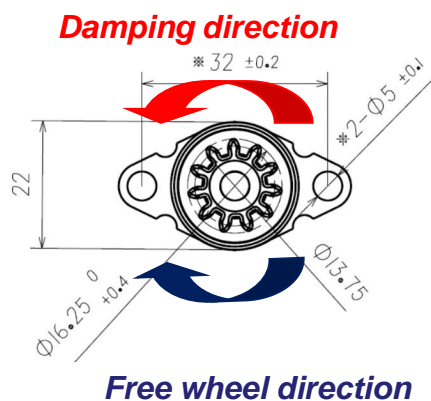


### Working Conditions

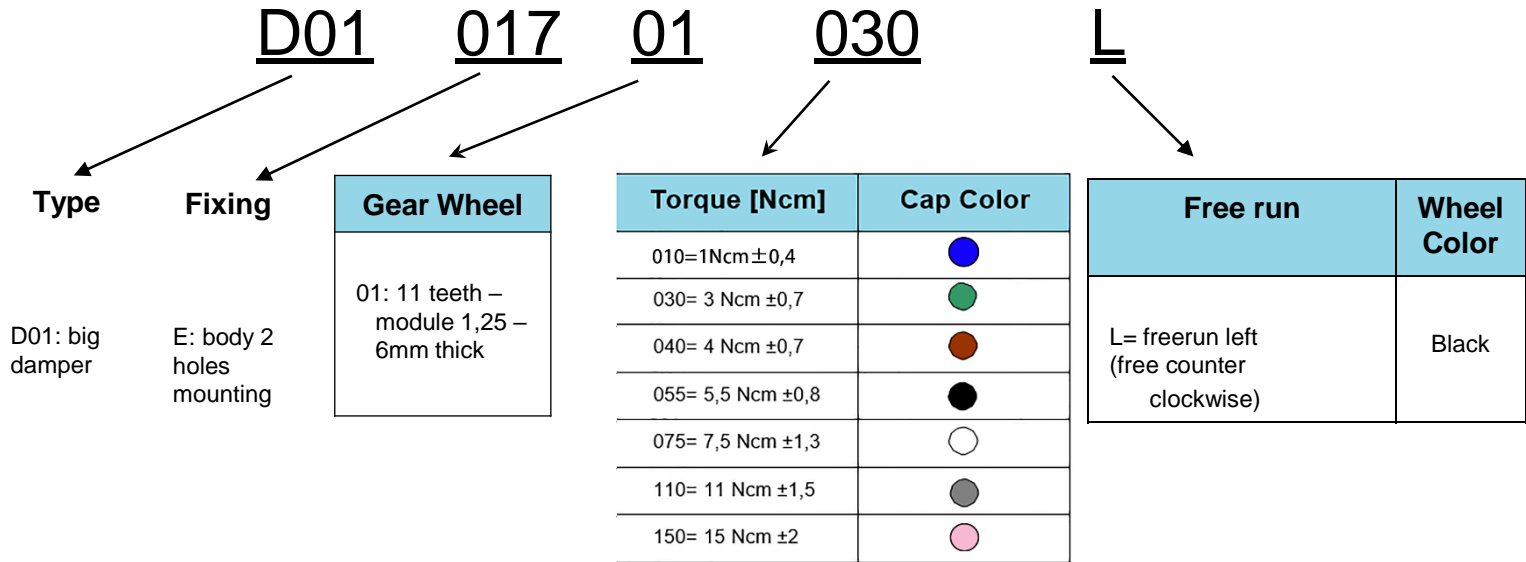
<b>Temperature</b>	-40°C up to +90°C (O-Ring in VMQ) -30°C up to +90°C (O-Ring in NBR)
<b>Lifetime</b>	15.000 cycles 1 cycle: 1 way clockwise, 1 way anticlockwise

### Bill of materials

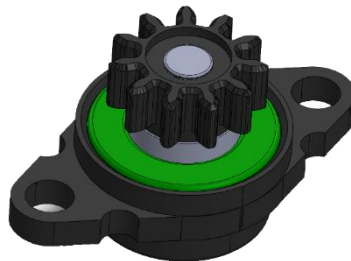
<b>Gear wheel</b>	POM
<b>Rotor</b>	ZnAl4Gu1
<b>Base</b>	PA6GF15
<b>Cap</b>	PA66GF15
<b>O-Ring</b>	NBR/ VMQ
<b>Rollers</b>	Steel
<b>Fluid</b>	Silicone oil



## Product Key



*Torque 100% checked in production at 20 rpm and RT*



*The official 2D drawing is the only valid technical documentation.*

*All the characteristics and dimensions written into this datasheet may in fact change and so will not be valid anymore.*

All products are 100% tested on the torque value.

Bases, gear, wheels, torques and colors can be combined, having a design flexibility.

Custom designs are also available