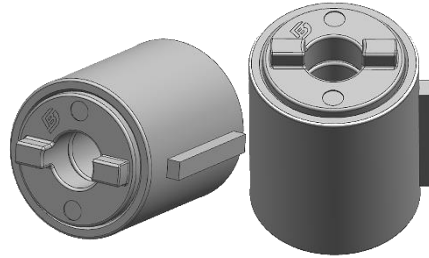
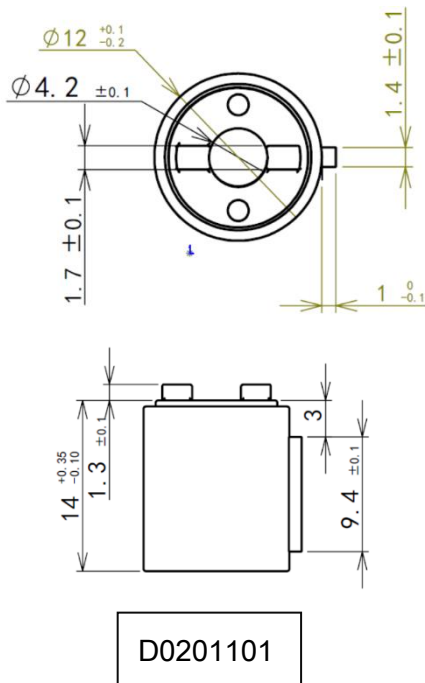


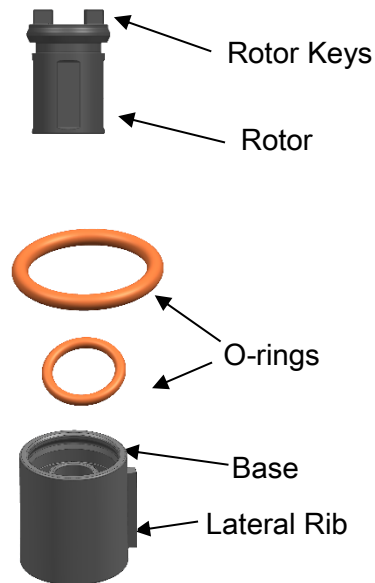
**Patented Product**



This damper is used in many applications-Grab handles,storage bins,overhead bins,ashtrays,door handles,flip panels and other light to medium weight rotary applications.Invisible in shaft



*Rotor Keys Available*



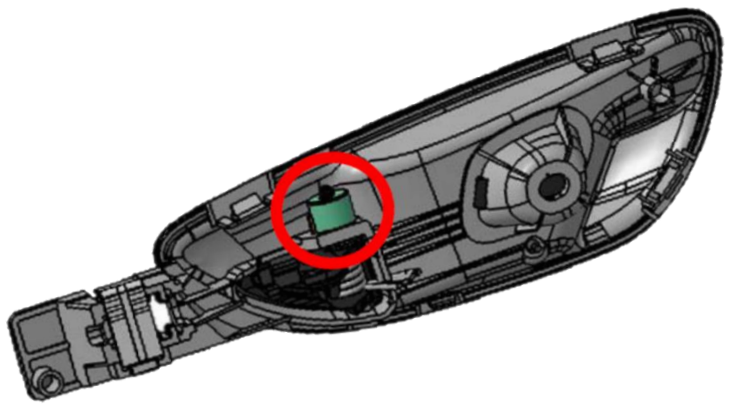
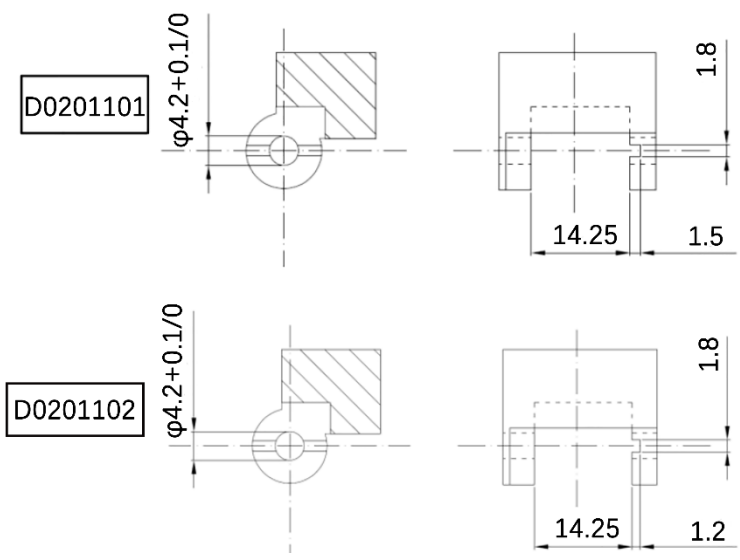
D0201101

D0201102

<b>Body</b>	<b>Φ12×14mm</b>	
<b>Rotor Keys</b>	D0201101	D0201102
<b>Height(H)mm</b>	1.3	1
<b>Thickness(T)mm</b>	1.7	1.7

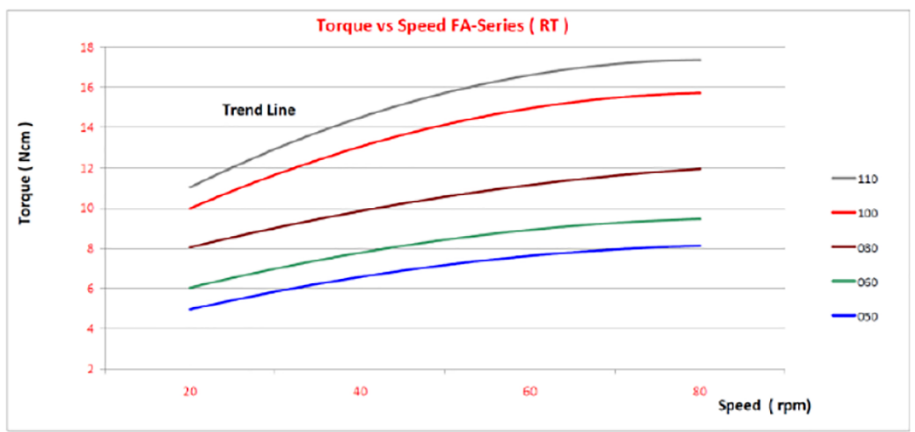
## Suggested Housing

## Sample Application



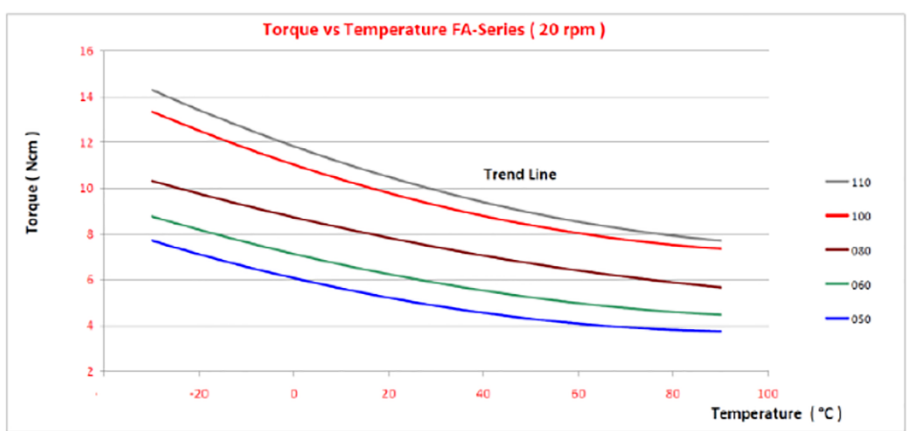
## Working Conditions

<b>Temperature</b>	-30°C up to +90°C
<b>Lifetime</b>	50,000 cycles 1 cycle: 1 way clockwise, 1 way anticlockwise

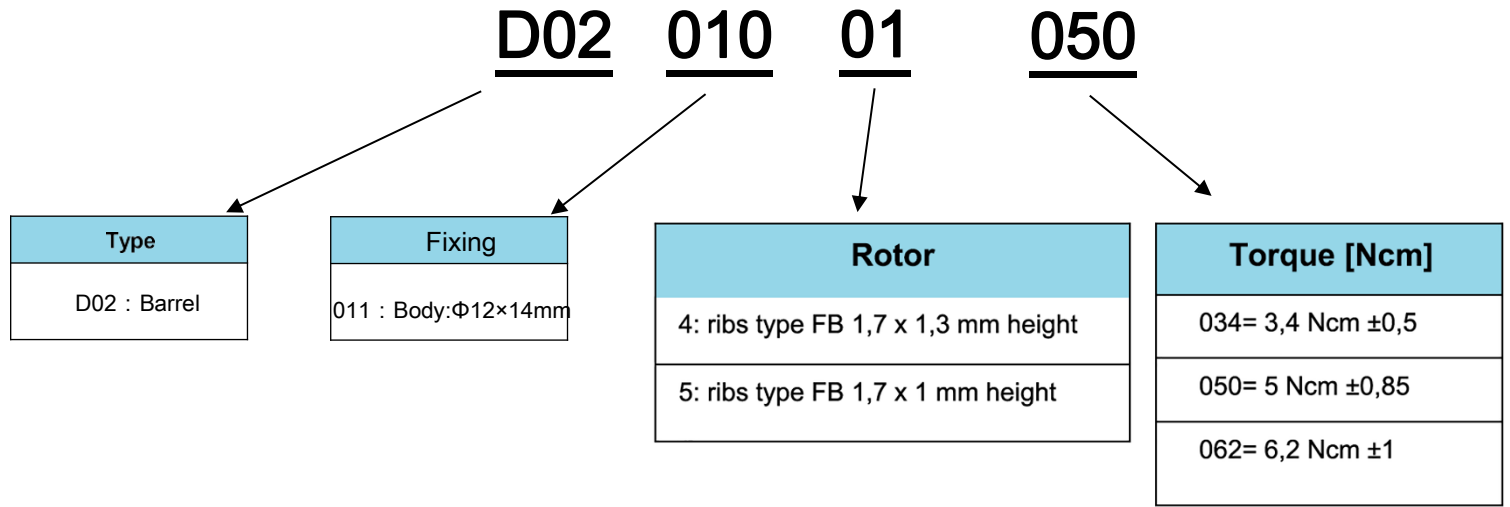


## Bill Of Materials

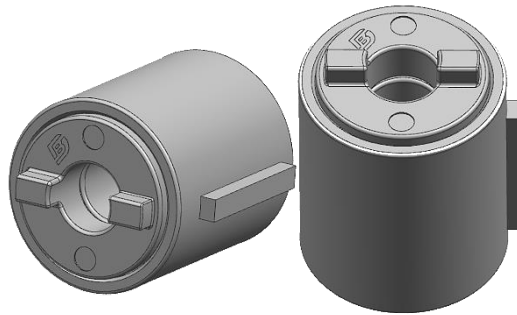
<b>Rotor</b>	POM
<b>Base</b>	POM
<b>O-Ring</b>	NBR
<b>Fluid</b>	Silicone oil



**Product Key**



*Torque 100% checked in production at 20rpm and RT*



*The official 2D drawing is the only valid technical documentation.*

*All the characteristics and dimensions written into this datasheet may in fact change and so will not be valid anymore.*

All products 100% tested on the torque value.  
Rotor keys, torques and colors can be combined providing design flexibility.  
Custom designs are also available