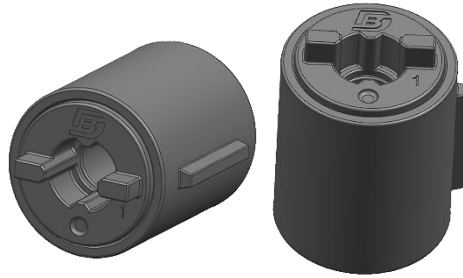
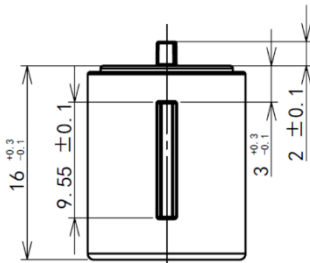
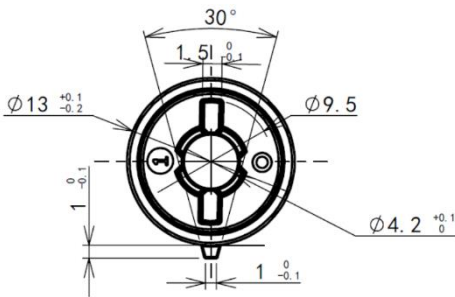


Patented Product

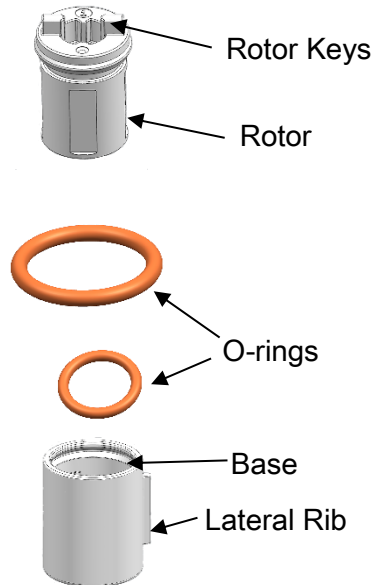


This damper is used in many applications-Grab handles,storage bins,overhead bins,ashtrays,door handles,flip panels and other light to medium weight rotary applications.Invisible in shaft



D0201001

Rotor Keys Available



D0201001

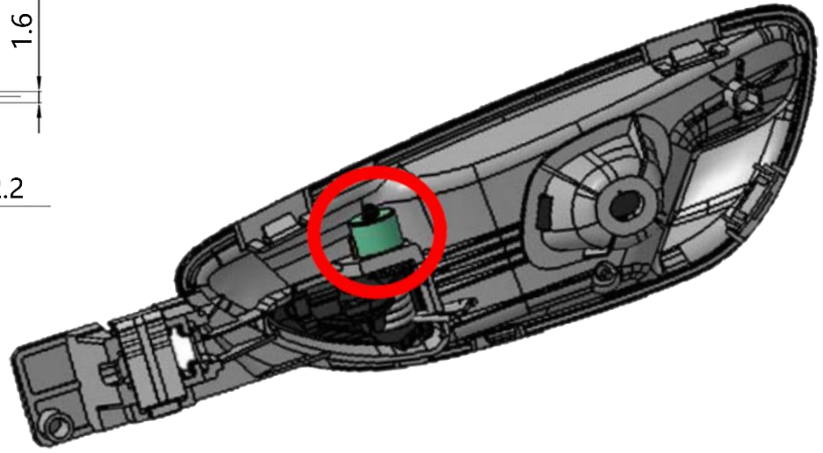
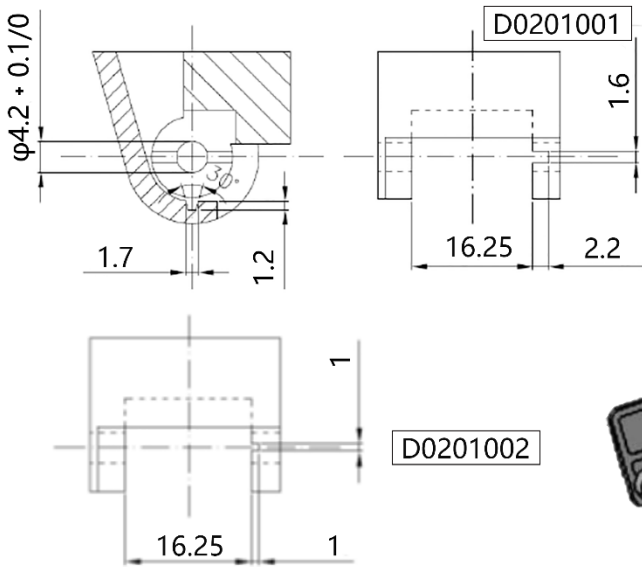
D0201002

D0201003

Body	$\Phi 13 \times 16\text{mm}$		
Rotor Keys	D0201001	D0201002	D0201003
Height(H)mm	2	1	2
Thickness(T)mm	1.5	1	2.5

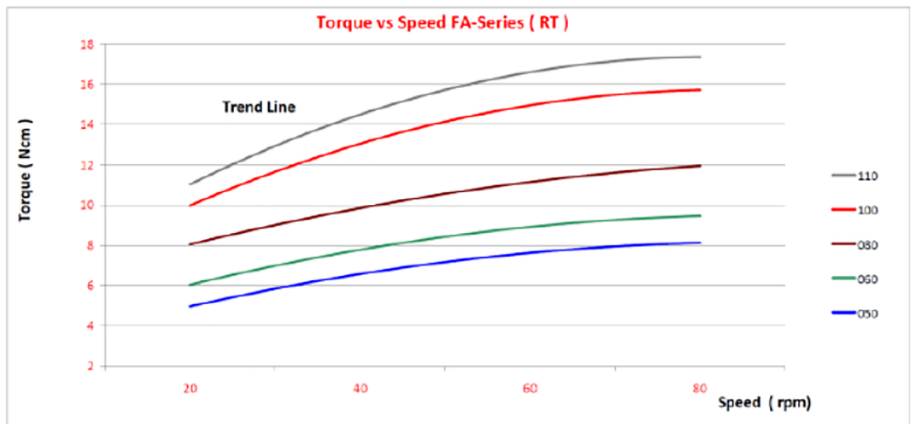
Suggested Housing

Sample Application



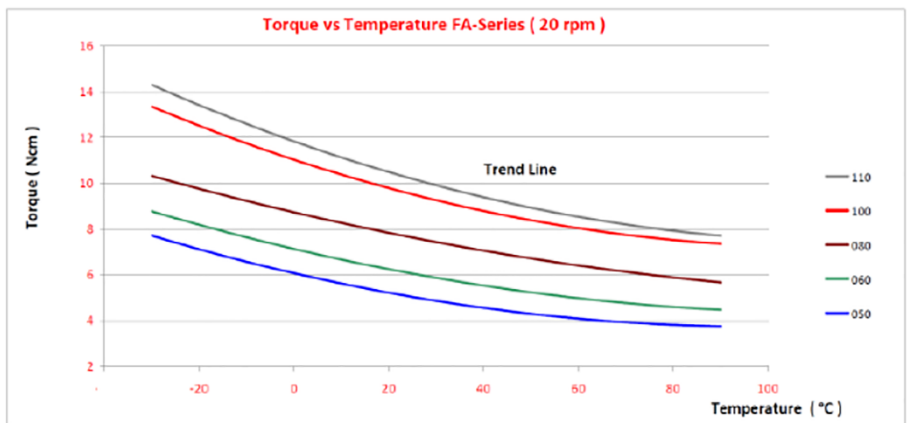
Working Conditions

Temperature	-30°C up to +90°C
Lifetime	50.000 cycles 1 cycle: 1 way clockwise, 1 way anticlockwise

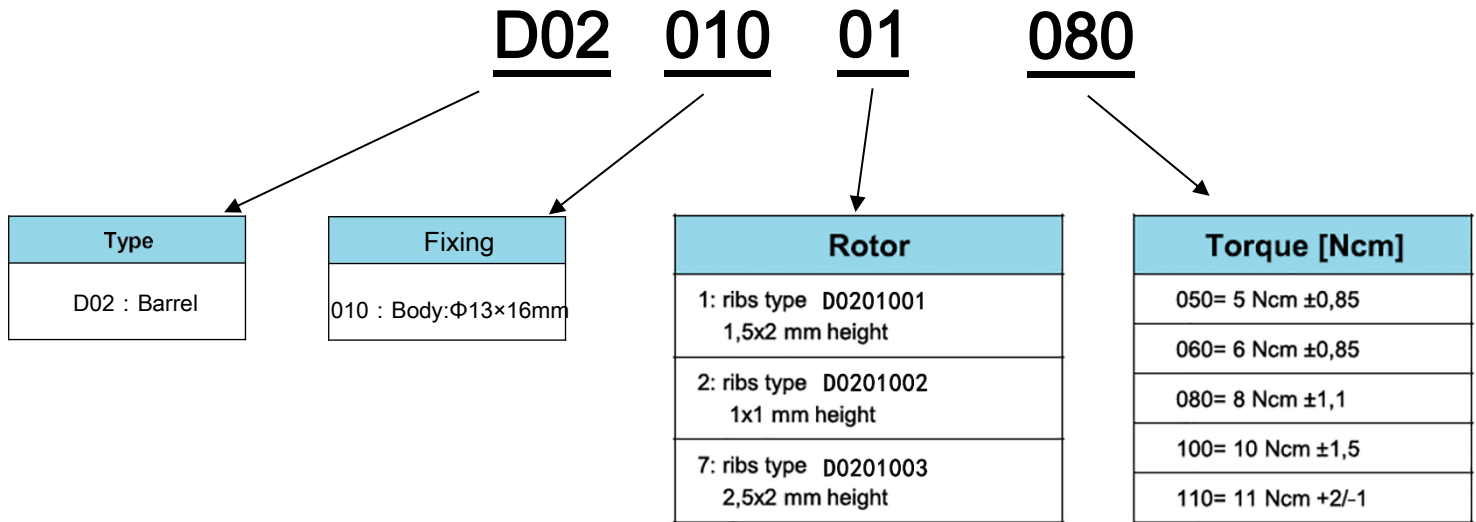


Bill Of Materials

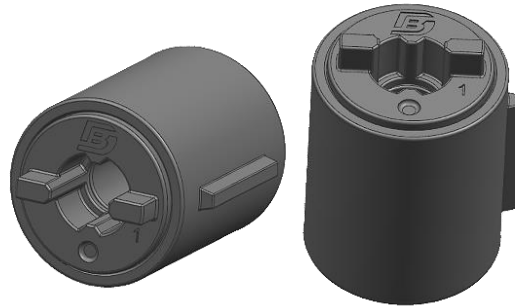
Rotor	POM
Base	POM
O-Ring	NBR
Fluid	Silicone oil



Product Key



Torque 100% checked in production at 20rpm and RT



The official 2D drawing is the only valid technical documentation.

All the characteristics and dimensions written into this datasheet may in fact change and so will not be valid anymore.

All products 100% tested on the torque value.

Rotor keys, torques and colors can be combined providing design flexibility.

Custom designs are also available