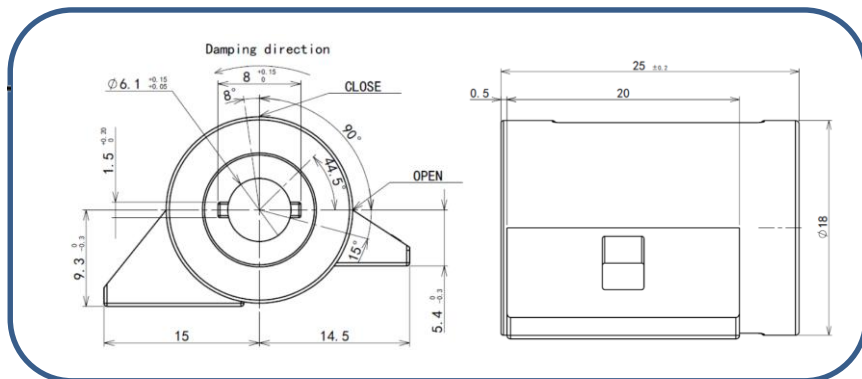


Damper Dimension



Damper Specification

Torque Type

$1.4 \pm 0.25 \text{ N.m}$

$0.9 \pm 0.15 \text{ N.m}$

Caution

Please don't use this damper as the axis or the stopper of the lid on your design.

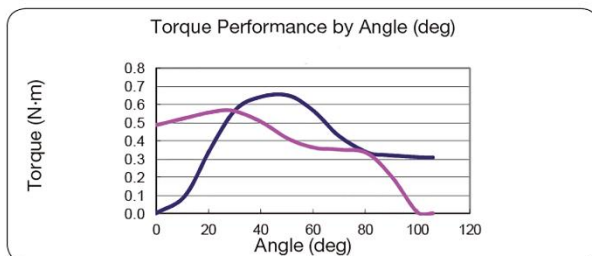
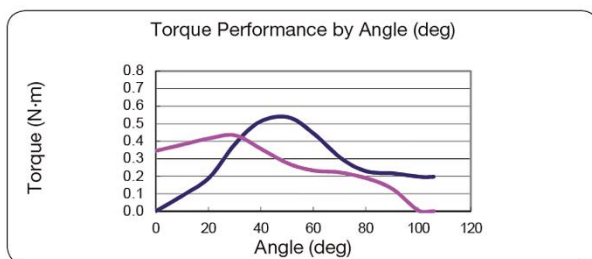
Durability

One cycle is defined as:
 90(deg) forward/1.5s → pause/ 1S →
 90(deg)backward/1.5s → pause/ 1S.
 Room Temperature:10000Cycles

Component Parts

1	Housing	POM
2	Cap	POM
3	Rotor	POM
4	O-ring	NBR
5	Oil	Silicone

Damper Specification



Torque characteristics
 (23°C ambient temperature, 20r/min)
 Torque of the axis damper changes depending on the revolution angle. Generally, the torque increases as the revolution angle increases, as shown in the figure on the left.