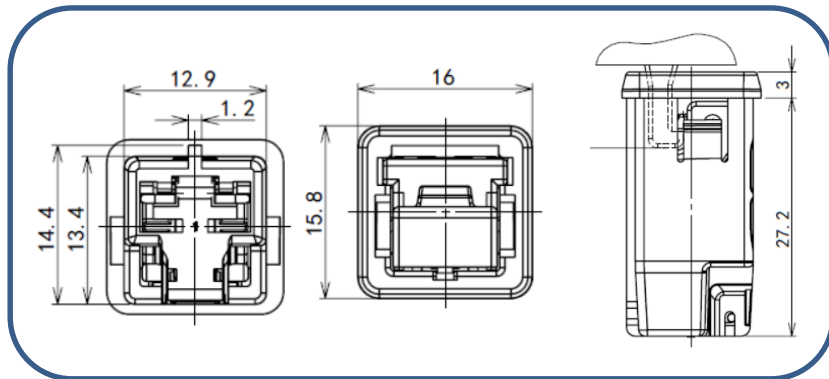
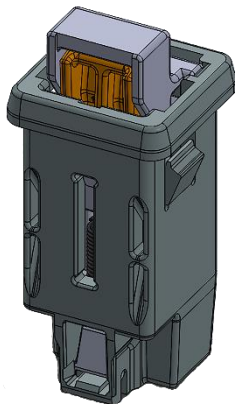


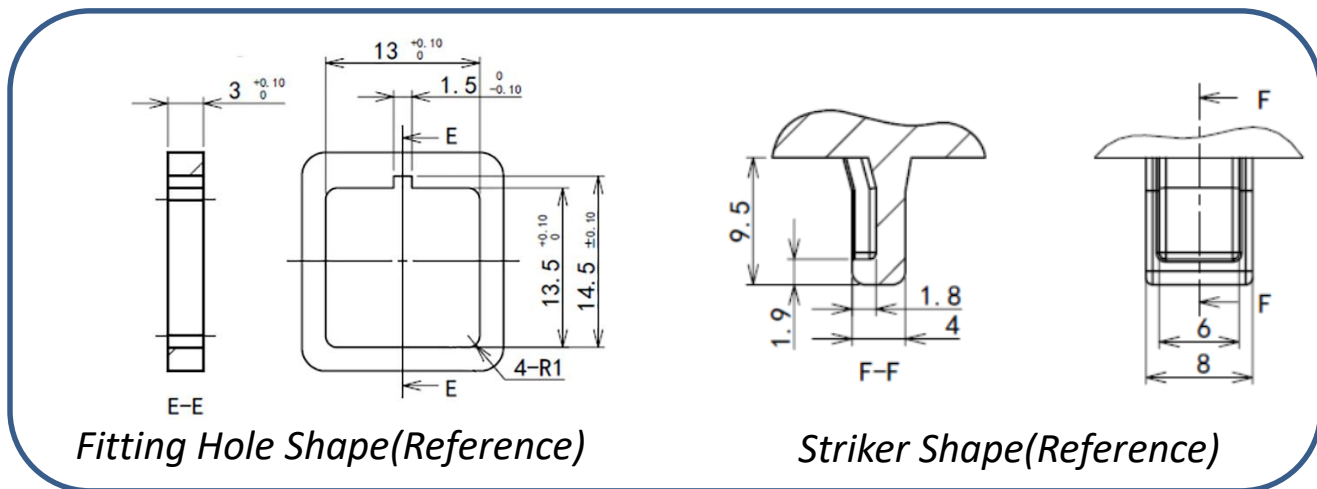
L02004 Lock Latch



Latch Dimension



Fitting Hole+Striker Shape



Fitting Hole Shape(Reference)

Striker Shape(Reference)

Latch Specification

Durability

Room Temperature:30000Cycles

Operation Force

Room Temperature: 3.5 ± 1.5 N

Component Parts

01	Latch Case	POM
02	Latch	POM
03	Spring	SUS
04	Guide Lever	SUS
05	Card	SUS

Please contact our sales representative for further information.
Specifications may be changed without prior notice.



Email : Ask for 2D-3D
info@dobond.com



Website :
<http://www.dobond.com>