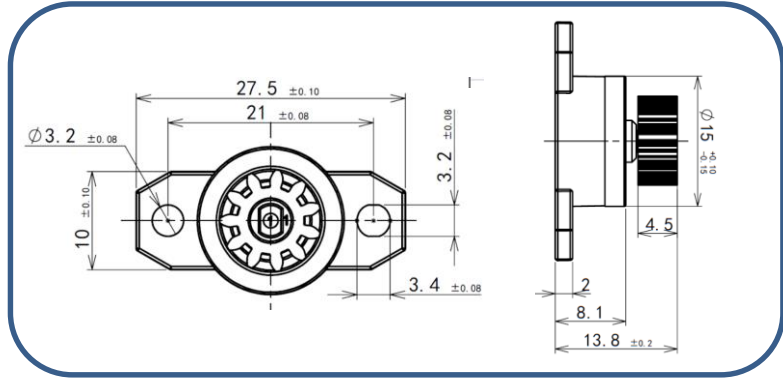
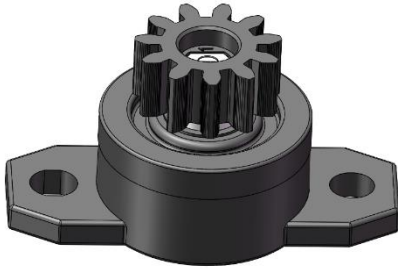


Damper Dimension



Damper Specification

Torque Type

	$2.0 \pm 0.3 \text{ N.cm}$
	$2.7 \pm 0.4 \text{ N.cm}$
	$3.9 \pm 0.5 \text{ N.cm}$

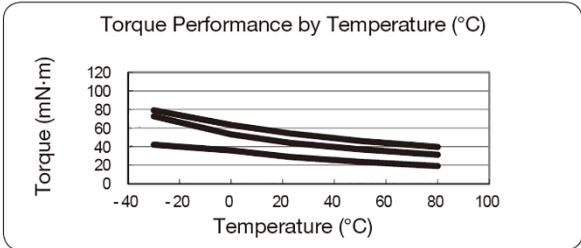
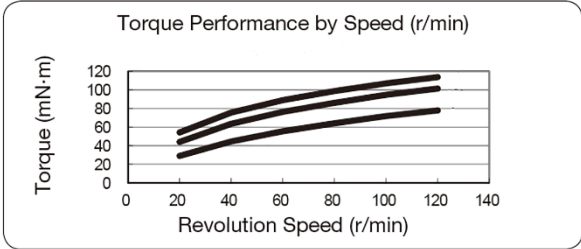
Gear Specification

Part No.	D01021
Pressure Angle	20°
Module	0.8
No. of Teeth	11
Outside circle ϕ [mm]	10.4
Pitch Diameter ϕ [mm]	8.8
Material	POM

Durability

Room Temperature: 50000 Cycles

Damper Specification



Revolution follow-up characteristics (23°C ambient temperature)
 Torque of the oil damper changes depending on the revolution speed. Generally, the torque increases as the revolution speed increases, as shown in the figure on the left.

Temperature characteristics (revolution speed: 20r/min)
 Torque of the oil damper changes depending on the ambient temperature. Generally, the torque increases at lower temperature and decreases at higher temperature.