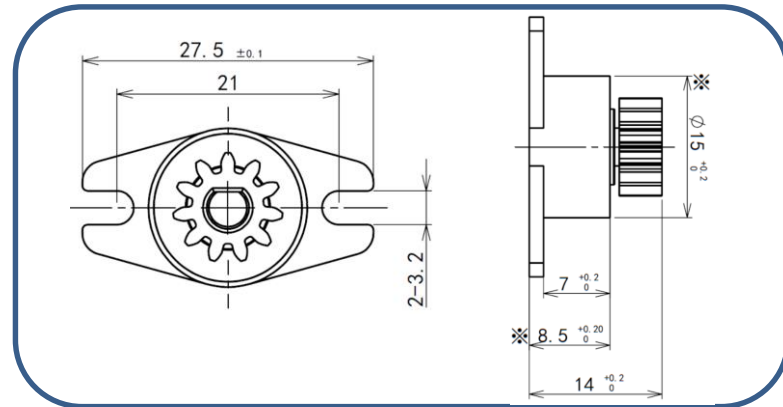
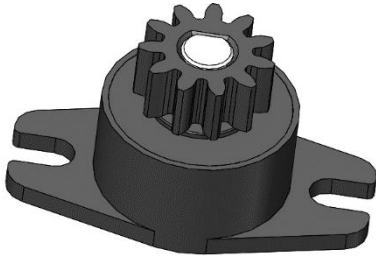


Damper Dimension



Damper Specification

Component Parts

01	Gear	POM
02	O-ring	NBR
03	Rotor	POM
04	Cap	POM
05	Housing	PC
06	Spring	SUS
07	Oil	Silicone

Gear Specification

Part No.	D01006 (L)
Pressure Angle	20°
Module	0.8
No. of Teeth	11
Outside circleØ[mm]	10.4
Pitch DiameterØ[mm]	8.8
Material	POM

Revolution follow-up characteristics (23°C ambient temperature)

Torque of the oil damper changes depending on the revolution speed. Generally, the torque increases as the revolution speed increases .

Torque Type

One-Way

0.5 ± 0.1N.cm

Temperature characteristics (revolution speed: 20r/min)

Torque of the oil damper changes depending on the ambient temperature. Generally, the torque increases at lower temperature and decreases at higher temperature.

Durability

Room Temperature:30000Cycles

