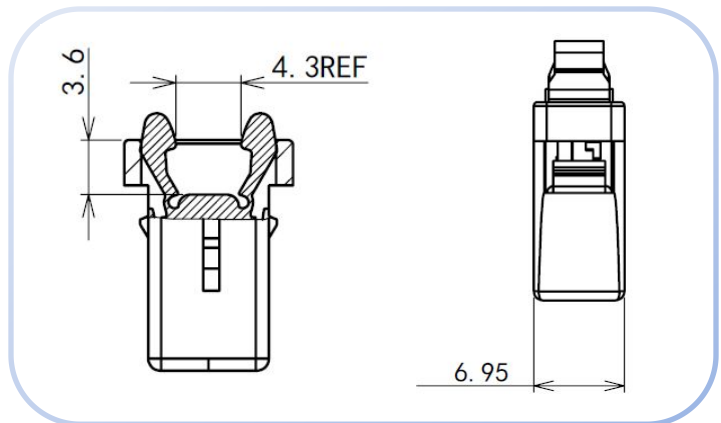
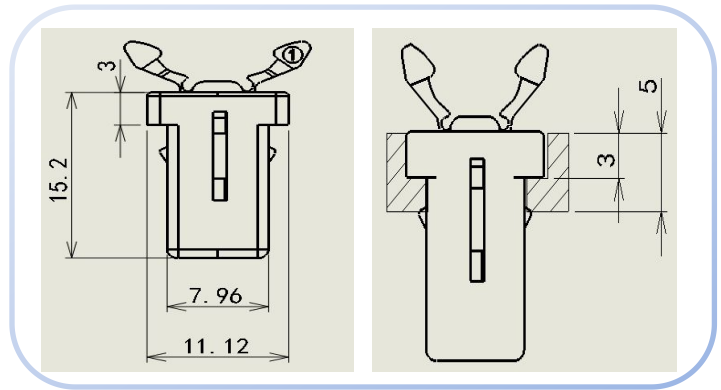
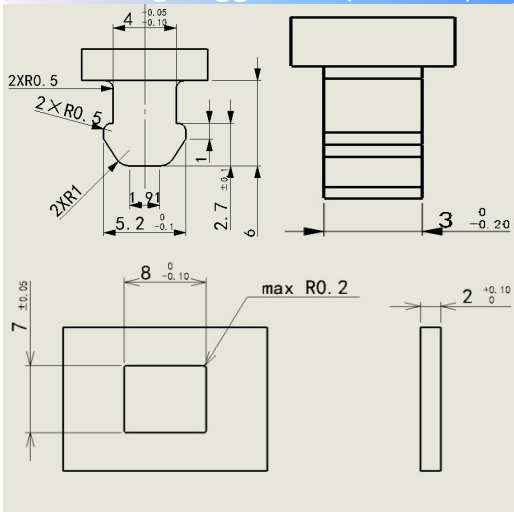


L01 Series Latch

Product 3D drawing and three views



Housing Suggestion(L01021)



Force Information

Types	Force to lock & unlock	Max push force	Max pulling force	Working temperature	Durability (Cycles)	Material of shell	Material of Jaws	Material of Spring
L01001	5N	50N	>25N	-30°~80°	30000	PC+ABS	PA66	SUS304
L01009	7N	50N	>40N	-40°~90°	30000	POM	PA66	SUS304
L01021	5N	50N	>25N	-30°~80°	30000	POM	PA66	SUS304

Application requirements

