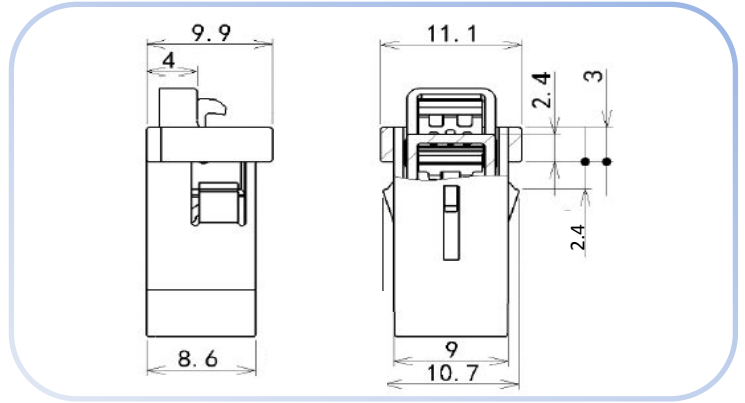
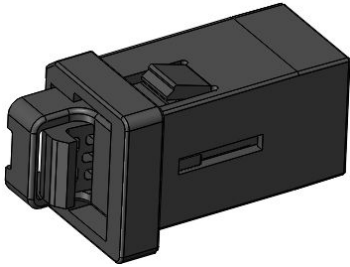
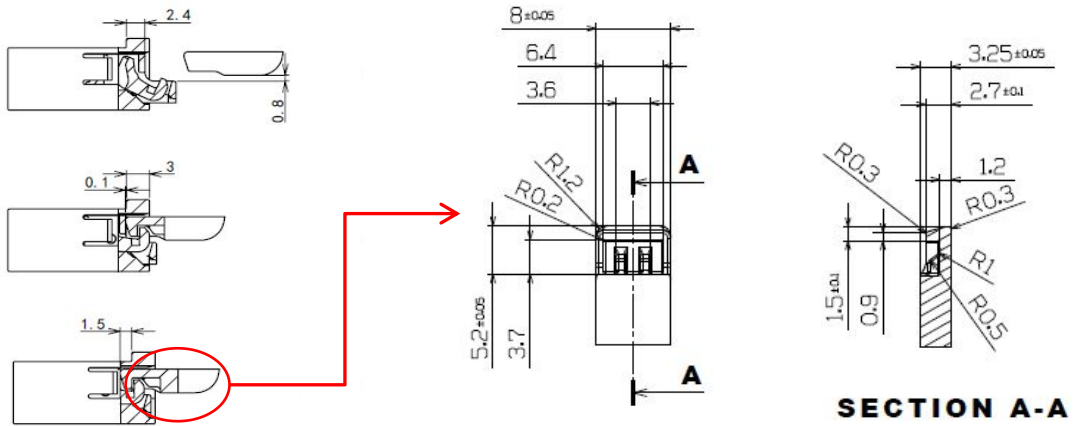


L02002 Latch(Noiseless)

Product 3D drawing and three views



Housing Suggestion



Force Information

Force to lock & unlock $6.5 \pm 1.5N$

Working Conditions

Temperature $-40 \sim 90^{\circ}C$

Durability 30000cycle

Bill Of Material

Body	POM
Jaw holder	POM
Spring	SUS
Clamping jaw	POM

Application

