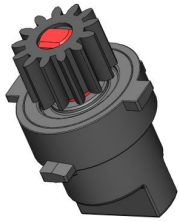
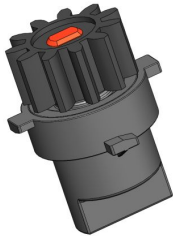
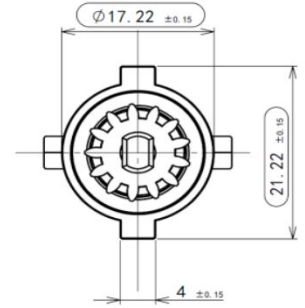
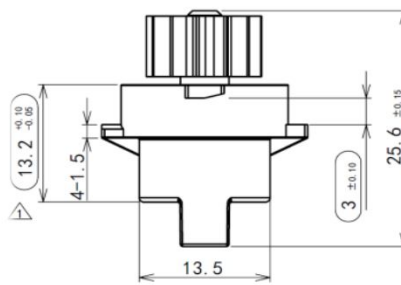


D01001/D01002 Gear Damper

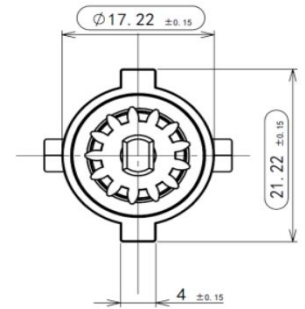
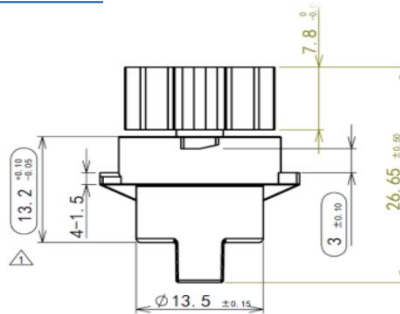
Product 3D drawing and three views



D01001



D01002



Product Specifications

Damper Types	Torque	Testing condition	Angle of rotation	Material of gear	Material of shell	Oil	Working Temperature	Durability
D01001	0.9±0.3 Ncm	20°C/ 20r/min	Free Rotation	POM	PC	Silicon oil	-40~90°C	50000 cycles
D01002	2.5±0.5 Ncm	20°C/ 20r/min	Free Rotation	POM	PC	Silicon oil	-40~90°C	50000 cycles

Gear Combination

Gear Type	
D01001	
D01002	

Gear Information

Gear Type	D01001	D01002
Pressure Angle	20°	20°
Module	0.8	1.25
N. Teeth	13	11
Pitch circle Ø[mm]	10.4	13.75
Outside circle Ø[mm]	12	16
Height [mm]	6.8	7.8

